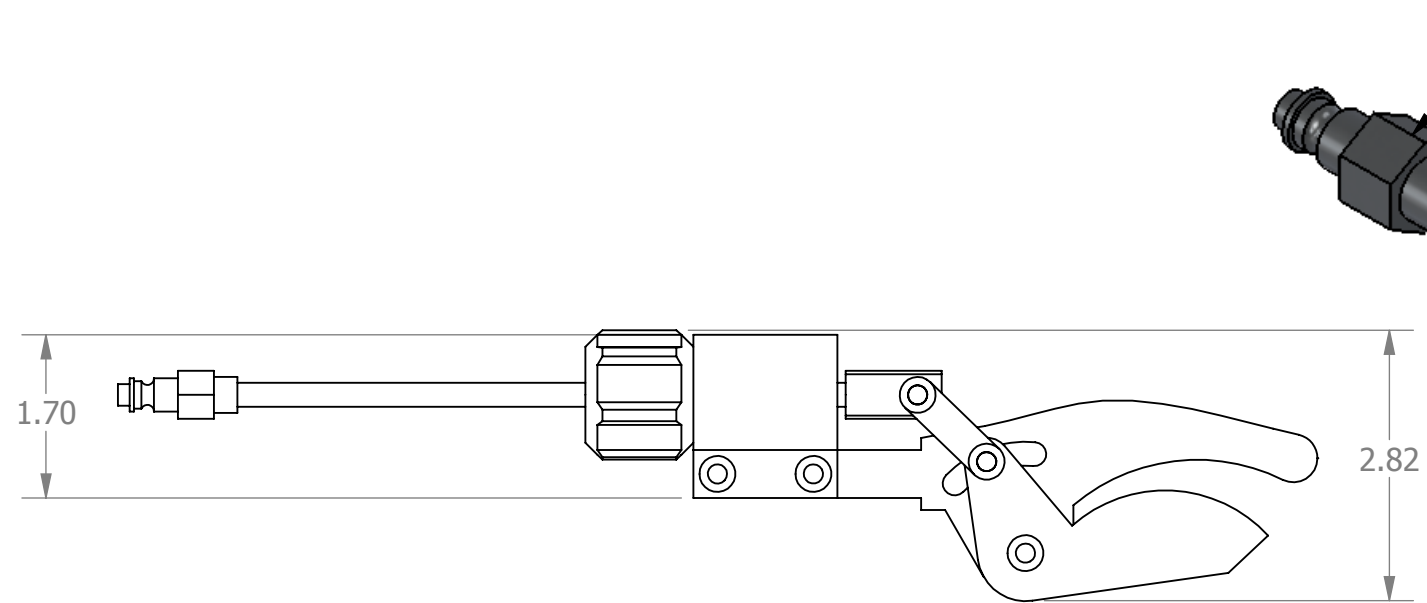


8 7 6 5 4 3 2 1

D

D

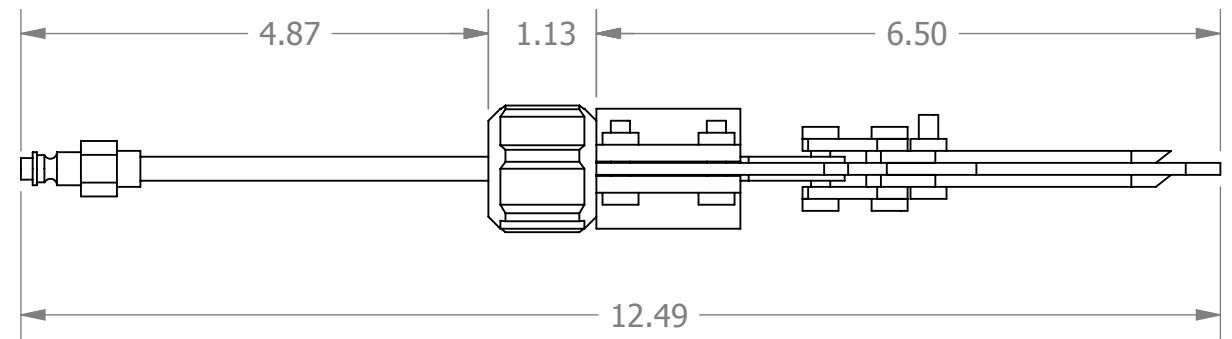


C

C

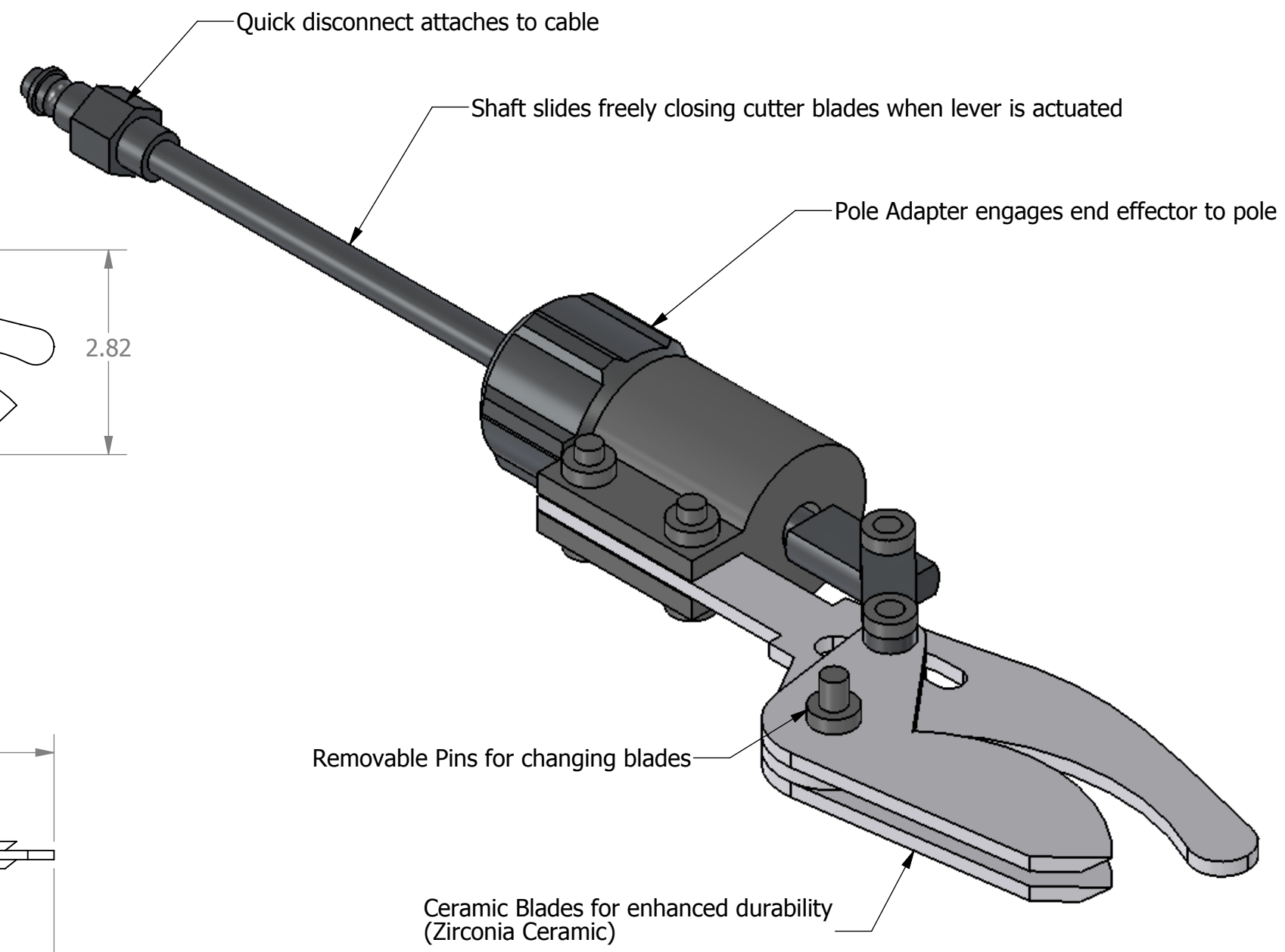
B

B



A

A



		UNLESS OTHERWISE SPECIFIED:		NAME	DATE	ATMS - CDR DRAWINGS	
		DIMENSIONS ARE IN INCHES		DRAWN		TITLE:	
		TOLERANCES:		CHECKED		Wire Cutter Effector Assembled	
		FRACTIONAL $\pm 1/32$		ENG APPR.		SIZE DWG. NO. REV	
		ANGULAR $\pm 0.1$		MFG APPR.		<b>B</b> ATMS-013	
		TWO PLACE DECIMAL $\pm 0.05$		Q.A.		SCALE: 1:2 WEIGHT: 0.34 SHEET 1 OF 1	
		THREE PLACE DECIMAL $\pm 0.005$		COMMENTS:			
		INTERPRET GEOMETRIC TOLERANCING PER:		6 SPARE BLADE PAIRS INCLUDED IN KIT			
		MATERIAL					
NEXT ASSY	USED ON	FINISH					
APPLICATION		DO NOT SCALE DRAWING					

8 7 6 5 4 3 2 1