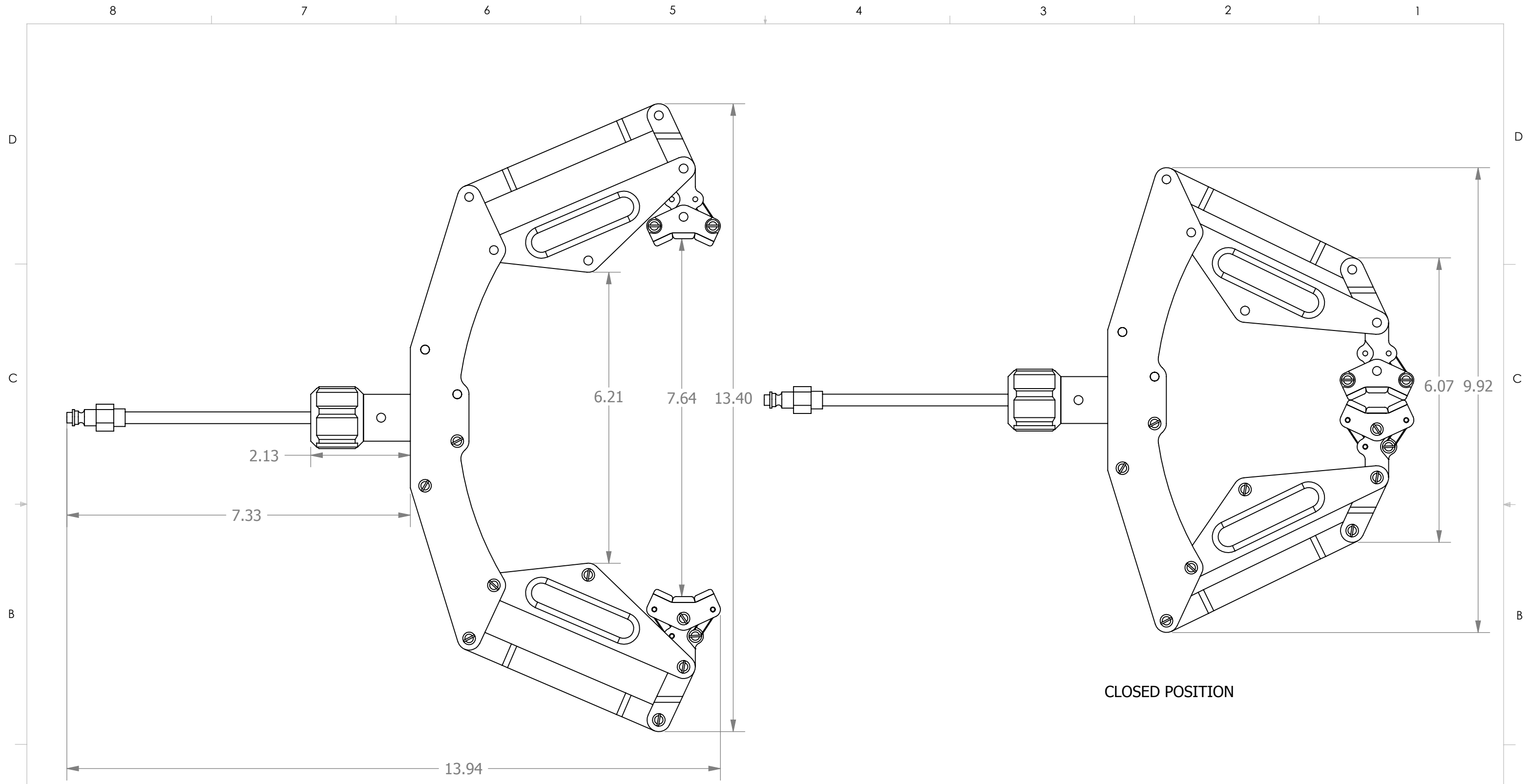


UNLESS OTHERWISE SPECIFIED:		NAME	DATE
DIMENSIONS ARE IN INCHES		DRAWN	
TOLERANCES:		CHECKED	
FRACTIONAL ± 1/32		ENG APPR.	
ANGULAR ± 0.1		MFG APPR.	
TWO PLACE DECIMAL ±0.05		Q.A.	
THREE PLACE DECIMAL ±0.005		COMMENTS:	
INTERPRET GEOMETRIC TOLERANCING PER:		*UNLESS OTHERWISE SPECIFIED	
MATERIAL		SIZE	DWG. NO.
CF Impregnated Nylon*		B	ATMS-014A
FINISH		REV	
NEXT ASSY	USED ON	SCALE: 1:4 WEIGHT: 1.08 SHEET 1 OF 2	
APPLICATION		DO NOT SCALE DRAWING	

ATMS - CDR DRAWINGS		
TITLE: Gripper Assembly Notes & Closed View		
SIZE	DWG. NO.	REV
B	ATMS-014A	
SCALE: 1:4 WEIGHT: 1.08 SHEET 1 OF 2		



OPEN POSITION

CLOSED POSITION



UNLESS OTHERWISE SPECIFIED:	
DIMENSIONS ARE IN INCHES	
TOLERANCES:	
FRACTIONAL ± 1/32	
ANGULAR ± 0.1	
TWO PLACE DECIMAL ±0.05	
THREE PLACE DECIMAL ±0.005	
INTERPRET GEOMETRIC TOLERANCING PER:	
MATERIAL	
CF Impregnated Nylon*	
FINISH	
NEXT ASSY	USED ON
APPLICATION	
DO NOT SCALE DRAWING	

NAME	DATE
DRAWN	
CHECKED	
ENG APPR.	
MFG APPR.	
Q.A.	
COMMENTS:	
*UNLESS OTHERWISE SPECIFIED	

ATMS - CDR DRAWINGS		
TITLE:		
Gripper Assembly		
Open & Closed Views		
SIZE	DWG. NO.	REV
B	ATMS-014B	
SCALE: 1:4	WEIGHT: 1.08	SHEET 2 OF 2